

# Flat Roof Vents

## b/s/t PVC Cold Roof Vent KD

### Specification ←

#### Material

PVC-U, high impact strength,  
UV-stabilised

Including plastic weather cap (removable),  
high impact strength, UV-stabilised

#### Special model\*

DN 250, DN 300

#### Different colour of pipe

DN 200  
similar to RAL 7011

#### Base plate

Inclination of 25° max. for DN 70 – 150  
Inclination of 5° max. for DN 200 – 300

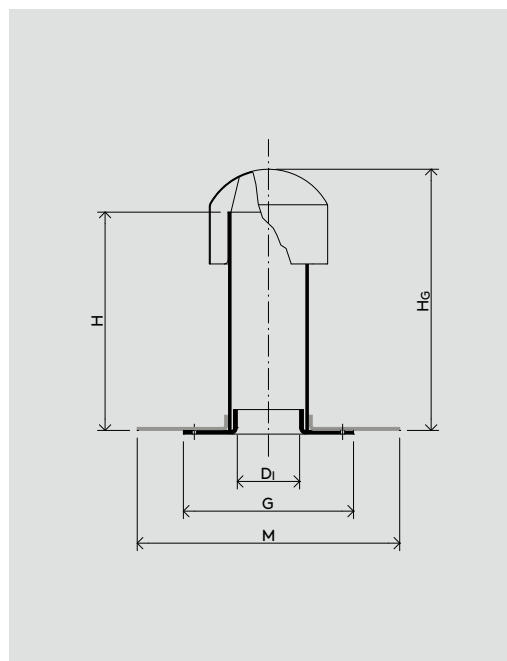
#### Membrane flange

PVC, EVA (see page 158)

INFO

Please order ←  
membrane  
flange  
separately

Special models ←  
on request\*



### WG 1111 ←

Nominal Width	Product No.	D <sub>i</sub> Ø [mm]	AL** [cm <sup>2</sup> ]	G [mm]	M [mm]	H [mm]	H <sub>G</sub> [mm]
DN 70	111-KD070	67	35	180	350	300	340
DN 100	111-KD100	100	78	230	500	300	360
DN 125	111-KD125	110	95	230	500	300	365
DN 150	111-KD150	149	174	260	500	300	380
DN 200*	111-KD200	200	269	400	580	300	411

\* Custom-made products cannot be returned.

\*\* AL = ventilation cross-section

Status: 03/22 b/s/t GmbH Koch Kunststofftechnologie reserves the right to make technical modifications.